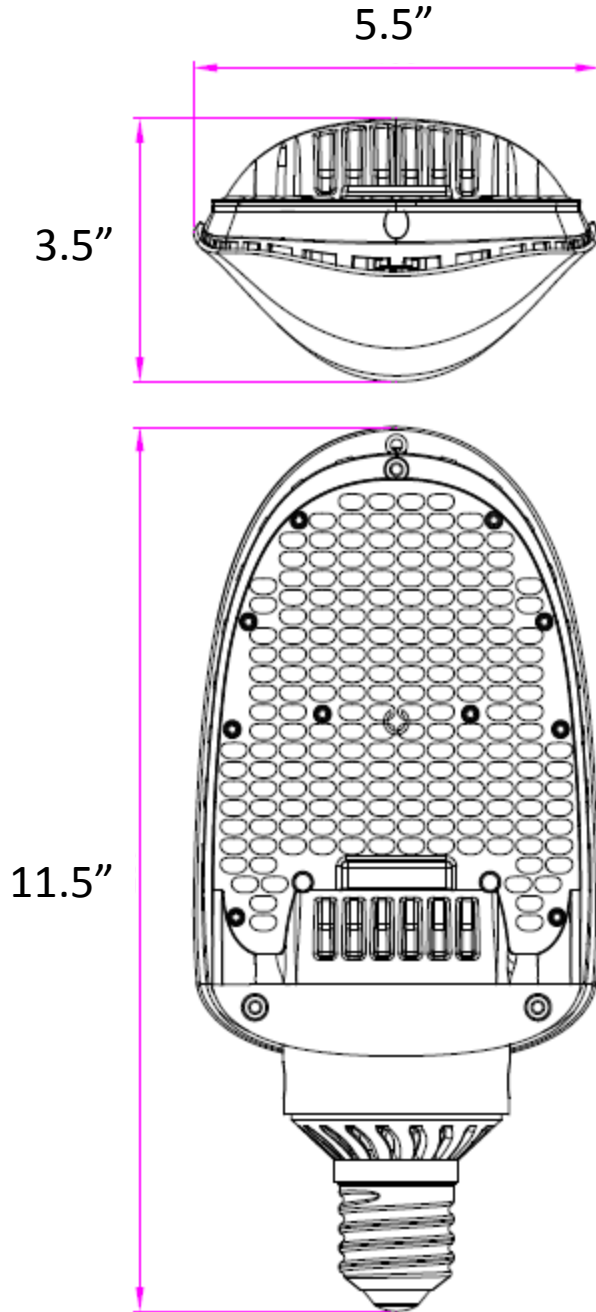




- UL, CUL, DLC certificate
- PHILIPS LUMILEDS chip, high CRI.
- 90*150 degree, TYPE III.
- Internal driver, input voltage AC100-277V.
- Lamp Base: 270 degree rotated.
- New style and high efficient wide-range input.
- Long lifespan and good heat dissipation.
- Direct replacement for Metal Halide, easy Installation.
- Fits many different fixtures to replace traditional lamps.

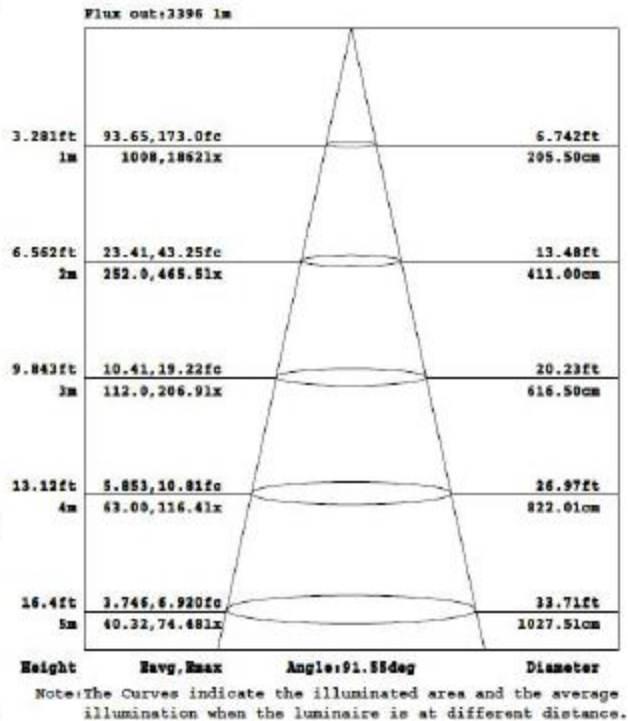
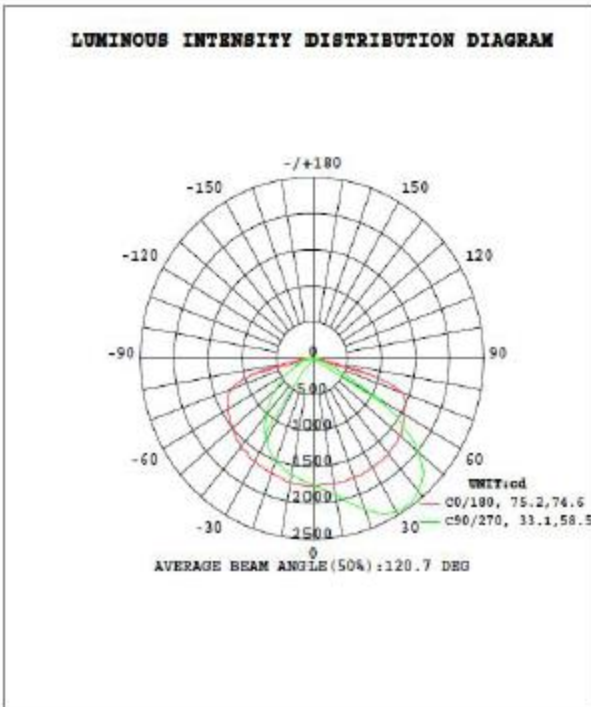
PRODUCT SPECIFICATIONS	
Product name	180 Degree Corn LED
Part No	ML-CL54WG6 E39
Lamp Base	E39
Dimension	11.5" x 5.5" x 3.5"
Technical Characteristic	
Color temperature	4000K, 5000K,
CRI	> 80
Lumen-In Luminaires	6200-6600 LM
Lumen Efficacy-In Luminaires	115-120 LM/W
Input Power	54W
Viewing Angle	90*150degree(TypeIII)
Input Voltage	AC100-277V 50/60Hz
PFC	>0.9
Equivalent	120W CFL , 175W MHL/HPS/HID
Waterproof Rating	IP51
MATERIALS	
LED Brand	PHILIPS LUMILEDS
LED Type	LUXEON 3030 2D (1.5W)
LED QTY	112 PCS
Housing	Magnesium Alloy+AL+PC
Housing color	Black+Silver
OTHERS	
Operating Temperature	68° to 113°
Operating Humidity	20%-70% RH
Storage Temperature	86° to 176°
Storage Humidity	10%-75% RH
Application	Replacement Lamps for Outdoor Pole/Arm-mounted Area and Roadway Luminaires
Safety Certification	UL, CUL, DLC
Warranty Time	5 Years



TECHNICAL DATA SHEET

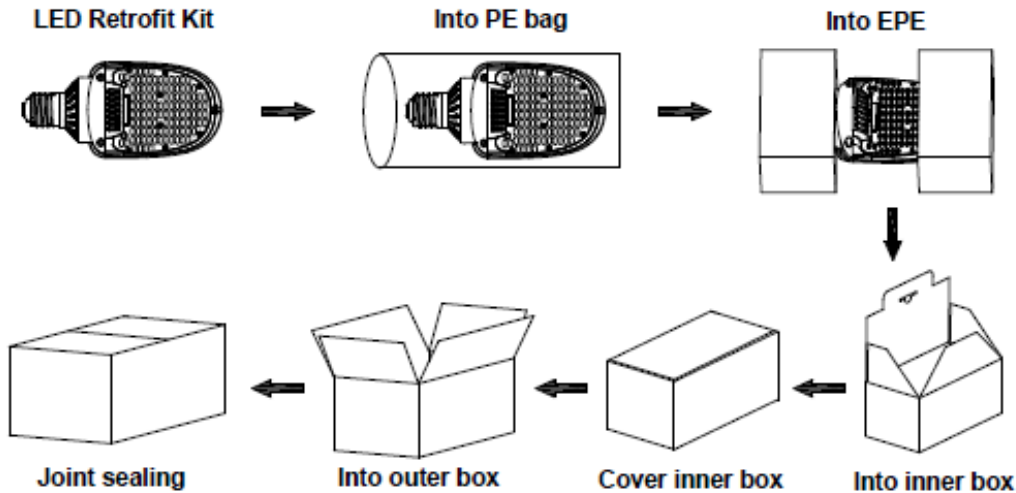
Remark: The testing data comes from the product in luminaires.

DATA OF LAMP		PHOTOMETRIC DATA			
MODEL		Imax (cd)	2480	S/MH(C0/180)	1.41
NOMINAL POWER (W)	54	LOR (%)	100.0	S/MH(C90/270)	1.12
RATED VOLTAGE (V)	120	TOTAL FLUX (lm)	6664.7	η UP, DN(C0-180)	0.0, 64.8
NOMINAL FLUX (lm)	6664.69	CIE CLASS	DIRECT	η UP, DN(C180-360)	0.1, 35.0
LAMPS INSIDE	1	η up (%)	0.1	CIBSE SHR NOM	1.50
TEST VOLTAGE (V)	120.0	η down (%)	99.9	CIBSE SHR MAX	1.55



TECHNICAL DATA SHEET

Package



	Size	Qty/ Carton	Net Weight/ Carton	Gross Weight/ Carton
Inner box	13.25" x 6.25" x 4.25"	1 PC	2.7 lbs	3.2 lbs
Outer box	26" x 14" x 9.5"	8 PCS	21.6 lbs	28 lbs

Notice For User

- Please turn off power before install or change assembly parts.
- The input voltage and lamps should be matched, after connecting the power line, please make sure the wiring section is insulated.
- Make sure to remove or bypass the ballast in the fixtures before install the lamps.
- Suitable for damp locations. Do not use with

