

M-SERIES

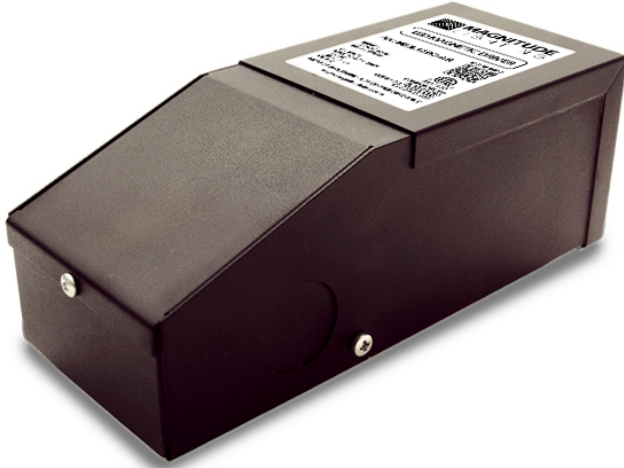
MAGNETIC DIMMABLE CLASS 2 LED DRIVER



CLASS 2



P/N: M60L12DC-AR

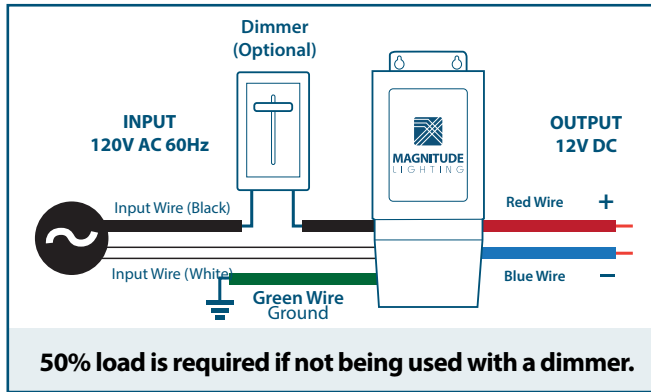


Magnitude's M60L12DC-AR is the most compact LED driver on the market with a magnetic transformer core. It is equipped with two auto-reset breakers, one on the input and one on the output, which protect both the load and driver. The driver is encased in a coated metal box that includes 2 knock-outs, one on each side, to enable easy installation that complies with electrical code requirements.

QUICK SPECS

Input Voltage	Max Output Power	Output Voltage	Output Current	Efficiency @ Max Load	Power Factor @ Max. Load	Envir. Protection Rating	Weight
120VAC	60W	12VDC	5 A	> 80%	> 0.84	NEMA 3R	50oz

WIRING DIAGRAM

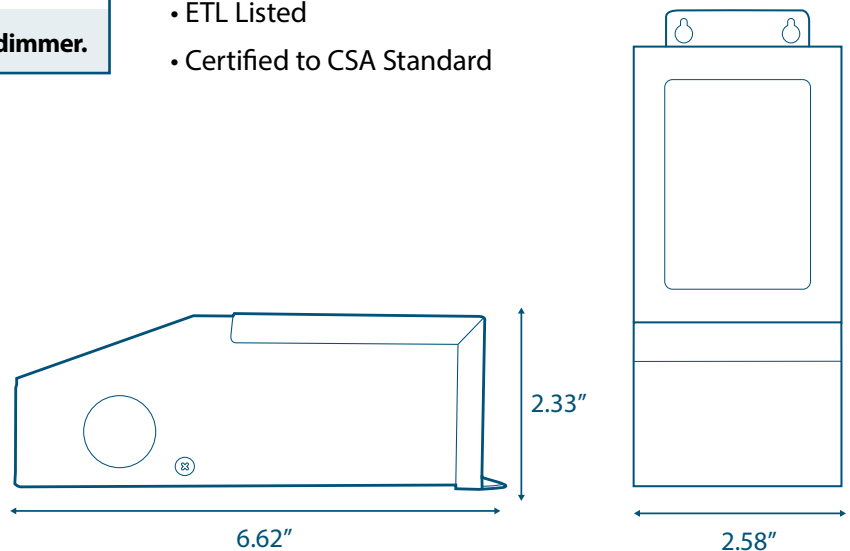


FEATURES

- Dimmable with any standard MLV/Incandescent TRIAC- (Leading edge) dimmer switch
- Dual protection - primary and secondary auto-reset circuit breakers
- Nema 3R - Outdoor Use
- Two knock-outs one on each side
- Class 2
- ETL Listed
- Certified to CSA Standard

ENCLOSURE DETAILS In. (mm)

Length	6.62 (168)
Width	2.58 (65.6)
Height	2.33 (59.1)



SPECIFICATIONS

Input

Input Voltage	120VAC
Input Current @ Max Load	0.76 A
Power Factor	> 0.84
Efficiency	> 80%

Output

Max Load	60W
Output Voltage	12.5 VDC @ Full Load
Output Current @ Max Load	5 A
Open Circuit Output Voltage	12.5 VDC
Coil Former	Double Section Bobbin

Environmental

Operating Temperature	-30°C - 45°C (-22°F - 113°F)
Min Installation space between drivers	5" Inch
Thermal Class	B130°C

Protections

Circuit Breaker	Primary and secondary auto-reset
-----------------	----------------------------------

Mechanical & Housing

Leads Primary	PVC 600V #20
Leads Secondary	PVC 300V #16
Length	6.62" (168mm)
Width	2.58" (65.6mm)
Height	2.33" (59.1mm)
Weight	50oz (1.4kg)
Housing Material	Coated metal
Housing Color	Black
Junction Box	Yes
Mounting	Two Hole flange mounting

Approval Markings

Certificates / Approval Signs	UL 8750, class 2
-------------------------------	------------------

MECHANICAL DIAGRAM

