



Mounts to landscape post or any 1/2" hub



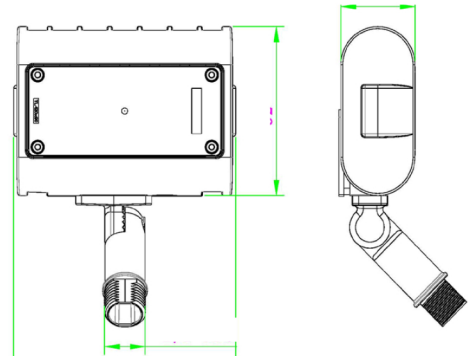
Fully adjustable 1/2" threaded knuckle for aiming versatility



Easily mounts to 1/2" hub on weatherproof box

DIMENSIONS:

4.6" x 4.25" x 1.5"



LF3-15CW-KN LF3-15WW-KN

LED Flood Lights 3 Series with Adjustable Knuckle

Ideal for general site lighting, alleys, loading docks, doorways, pathway, parking areas. Replace existing HID flood lights/wall packs. Great for use with motion sensors or other instant on/off controls. Solid state lighting technology for long life, low maintenance and high efficiency.

ELECTRICAL SPECIFICATIONS:

- Voltage: 100-277VAC 50/60Hz
- Wattage: 15W
- Input current: 0.18A Max.
- Other wattages: 30W, 50W
- Power factor: PF≥0.90
- Output voltage: 36-60VDC
- Output current: 0.25A
- Driver efficiency: 88%

HOUSING SPECIFICATIONS:

- Die-cast aluminum with powder coat finish (Dark Bronze)
- Operating temperature: -30 —+40 °C
- Lifespan: 50000Hrs.
- IP rating: IP65, Wet Locations
- 100% dip-tested under load
- Main Structure: aluminum + Optical Lens
- Storage temperature humidity: -40 —+80 °C ,10—90% RH

CERTIFICATIONS:



MODEL	WATTS	VOLTAGE	LUMENS	COLOR TEMP
LF3-15CW-KN	15W	120~277 AC	1500 LM	5000K
LF3-15WW-KN	15W	120~277 AC	1467 LM	3000K

LIGHTING SPECIFICATIONS:

- Not dimmable
- LED type/brand: SMD 3030/ Philips Lumileds LEDs
- Total lumens: 1500lm and 1467lm
- Color temperature: 3000K / 4000K / 5000K / 5700K
- Color rendering index: >80
- Beam angle: 120x90°
- Luminance: 1450 Lm (DLC)
- Luminous Efficiency: 96 Lm/W (DLC)
- LED quantity: 18 PCS
- LED efficacy: 120Lm/W

SAFETY & EMC:

- Safety norms: UL1598, UL8750, EN60598, EN61347-2-13, EN62031, EN62471
- Withstand voltage: I/P-FG: 2121VDC
- Grounding resistance: ≤0.5Ω,OK
- Electromagnetic compatibility: EN55015, EN61000-2-3, EN61000-3-3, EN61547
- Net weight: 24lbs
- Gross weight: 26lbs
- Packing size: inner box: L150*W50*H175
master carton: L465*W365*H170
- Quantity / Carton: 10pcs

WARRANTY: 7 years

